



1-21 Grenfell Crescent
Nepean, Ontario K2G 0G3

Phone: (613) 723-0359

Fax: (613) 226-4892

Email: sales@digelair.com

Web Page: www.digelair.com

OCEANAIRE PAC3612

3-TON Portable Conditioner

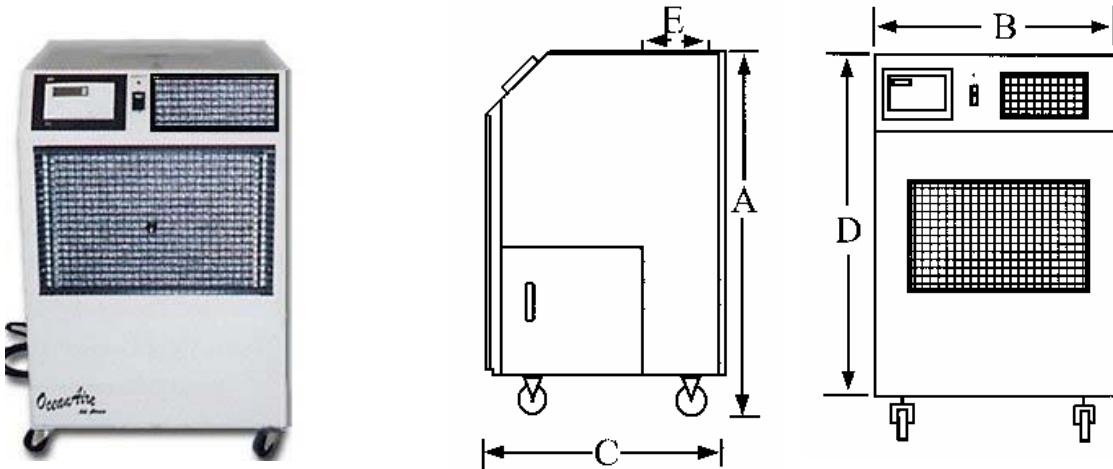
AIR-COOLED COMMERCIAL RENTAL UNIT



APPLICATION:

These self-contained portable air conditioners should be located inside the room to be cooled.

These self-contained portable air conditioners are designed to be located inside the room to be cooled. The heat is rejected outside of the room by venting the condenser air discharge outside. Typically this is up into the false ceiling space (if the building has a central HVAC system, and it functions as the building return air plenum). The condenser outlet has a flange for connection to flex duct. The unit includes a standard automatic condensate pump.



Unit Dimensions (inches)						
Model	A	B	C	D	E	Weight
PAC3612	47.0	28.25	25.5	42.25	12.0 round	335 lbs.

Electrical Specifications				Compressor Data	
Power Supply (Volts)	Current Draw	Wire Size	Circuit Breaker	Type	Refrigerant
208-230/1/60	22.5 amps	#10 AWG	30 amps	Scroll	HCFC-22

Fan Data			Duct Data		
Section	Fan Type (centrifugal)	Air Flow (CFM)	Section	Duct Size (inches)	Max. Length (feet)
Evaporator	Direct drive	1310	Evaporator	n/a	n/a
Condenser	Direct drive	1390	Condenser	12	100 (.50 esp)