

MOVINCOOL®

Pioneering New Solutions With Portable Air-Conditioning



DigelAir
HVAC SUPPLY

1-21 Grenfell Crescent
Ottawa, Ontario K2G 0G3
Phone: 613-723-0359
Fax: 613-226-4892
Toll Free: 1-888-279-2505
Email: sales@digelair.com
Web: www.digelair.com

Model: OFFICE PRO 36

SPECIFICATIONS:

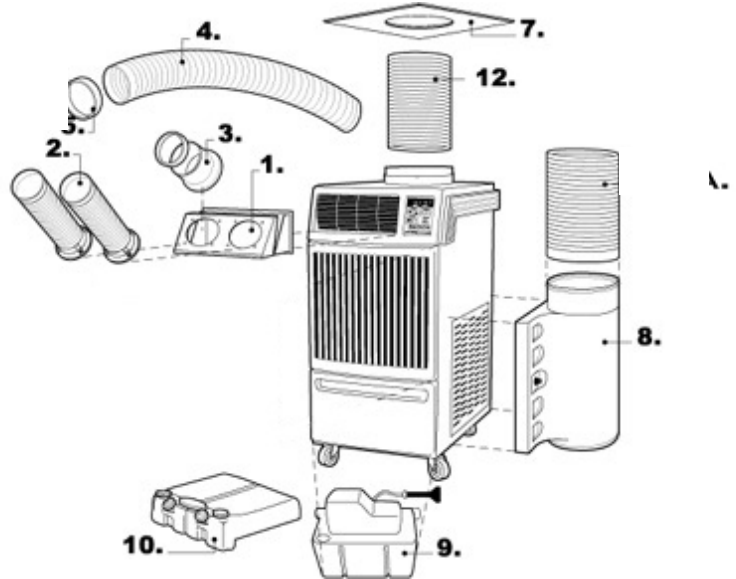
Cooling Capacity = 36000 BTU, 990 CFM evap. fan, 1490 CFM cond. fan

Operating Conditions, inlet air = min 65°F max 95°F @ 50% RH

Electrical Requirements = 208-230/1/60 volts, 19.7 A, requires 30 amp breaker, 6-30 plug

Unit Weight = 440 lbs. (shipping 540 lbs.)

Unit Dimensions = 30" W x 44" D x 52" H



No.	Part Name	Office Pro 36 - OPTIONAL ACCESSORY Part Description	Part Number
1.	Nozzle Adapter (6") Duct Adapter (8")	Four-piece metal frame converts airflow from louvers to 6" nozzles or cold air ducts. Includes mounting screws. (Nozzles and ducts sold separately.) Same as above (including flanges Item #3), but for use with 8" cold air flexible ducts.	LAY45770-0070 (6") LAY45770-0080 (8")
2.	Cold Air Nozzle	6" diameter white plastic nozzle that extends up to 3-1/2' in length. Includes flange, mounting screws and trim ring. Quantity 2 are required for this model.	484209-0050 (6")
4.	Cold Air Flexible Duct	8" diameter wire-reinforced, accordion-style duct in 25' lengths, use with Duct Adapter Kit (#1, LAY45770-0080).	LAY45810-0080 (8")
6.	Condenser Intake Duct (12")	12" diameter x 10' long vinyl wire-reinforced, accordion-style duct for condenser air intake (requires Cds. Intake Air Plenum option, Item #8). Includes clamp.	LAY45771-0060
7.	Ceiling Tile Duct Adapter	24" x 24" metal panel with flange for 16" round condenser air exhaust duct. 24" x 24" metal panel with flange for 12" round condenser air intake duct.	MOV-PANEL24X16 MOV-PANEL24X12
8.	Condenser Intake Air Plenum	White plastic plenum for return air to condenser. Hinged for filter cleaning. 12" duct.	LAY84270-0020
9.	Automatic Condensate Pump	230V pump kit 'plugs in' for simple installation, and includes 20' of 3/8" plastic tubing.	MOV-PUMPKIT230
10.	Condensate Tank	Drain tank storage for condensation included as a standard feature with unit. Auto-shutoff of unit when tank is full to prevent water overflow.	Included
12.	Condenser Exhaust Duct (16")	16" diameter x 25' long vinyl wire-reinforced, accordion-style duct for condenser exhaust. Includes clamp.	LAY45820-0010