

MOVINCOOL®

Pioneering New Solutions With Portable Air-Conditioning



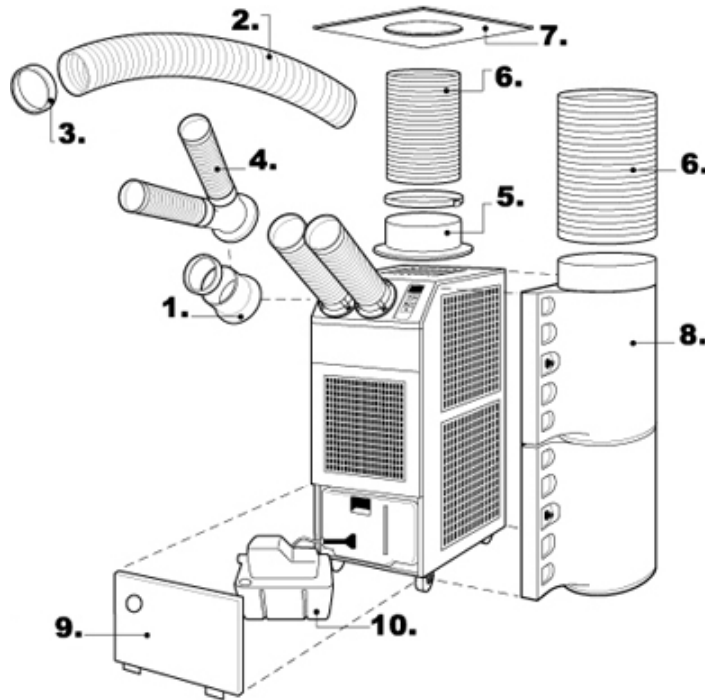
DigelAir
HVAC SUPPLY

1-21 Grenfell Crescent
Ottawa, Ontario K2G 0G3
Phone: 613-723-0359
Fax: 613-226-4892
Toll Free: 1-888-279-2505
Email: sales@digelair.com
Web: www.digelair.com

Model: CLASSIC 10

SPECIFICATIONS:

Cooling Capacity = 10000 BTU, 270 CFM evap. fan, 740 CFM cond. fan
Operating Conditions, inlet air = min 68°F max 105°F @ 50% RH
Electrical Requirements = 115/1/60 volts, 10.6 A, requires 15 amp breaker, 5-15 plug
Unit Weight = 145 lbs. (shipping 170 lbs.)
Unit Dimensions = 19" W x 26" D x 41"



No.	Part Name	Classic 10 - Part Description	Part Number
1.	Cold Air Flange	5" diameter white metal flange with wire clamp and mounting screws.	481170-0180
2.	Cold Air Extension Duct	5" diameter white plastic duct that extends from 6 1/2' to 10' in length.	481744-0090
3.	Trim Ring	5" diameter black plastic ring mounts as end caps for extension ducts.	481851-0200
4.	Dual Duct	5" diameter white plastic flange with two 4" nozzles that extend to 3 1/2' in length.	484209-0030
5.	Warm Air Flange	12" diameter gray metal flange with wire clamp and mounting screws.	481170-0190
6.	Warm Air Duct	12" adjustable diameter white plastic duct that extends from 6 1/2' to 10' in length.	481744-0060
7.	Ceiling Tile	24" x 24" white tile with 12" hole for warm air duct.	LA146373-8280
8.	Air Plenum	White plastic plenum, hinged for filter cleaning.	LAY84270-0020
9.	Cover Plate	Blue metal plate covers condensate collection area.	484009-0480
10.	Condensate Pump Kit	110V pump kit includes 3/8" diameter x 20' length hose and installation hardware.	CPK2